

Aqualia LED Reading Lamp

DATA SHEET

Alliance Optotek Corp.

No.5, Lane191, Chung-Ho St., Chupei City

Hsinchu 30267, Taiwan

www.aoptk.com

TEL: 886-3-555-1100

FAX: 886-3-555-5050



1. Applications :

Area: Indoor use only

Purpose: Reading lamp.

Features:

- ◎ High-brightness and no flicker to hurt eyes.
- ◎ Optimized thermal management: arm temperature $<55^{\circ}\text{C}$ ($T_a=25^{\circ}\text{C}$).
- ◎ High-efficient switching power design.
- ◎ Dimmable design for light output.
- ◎ No electro-magnetic interference issue.
- ◎ Built-in high temperature protection function.
- ◎ No UV and IR radiation, the objective surface will not heat and degenerate.
- ◎ Long-life.
- ◎ Energy Saving.
- ◎ Arm close can be as night light.
- ◎ One push button:
 - Power On/Off
 - Light dimmable control (0%~100%)

2. Specification :

-Outline Dim.: 485(L)x100(W)x470(H) mm

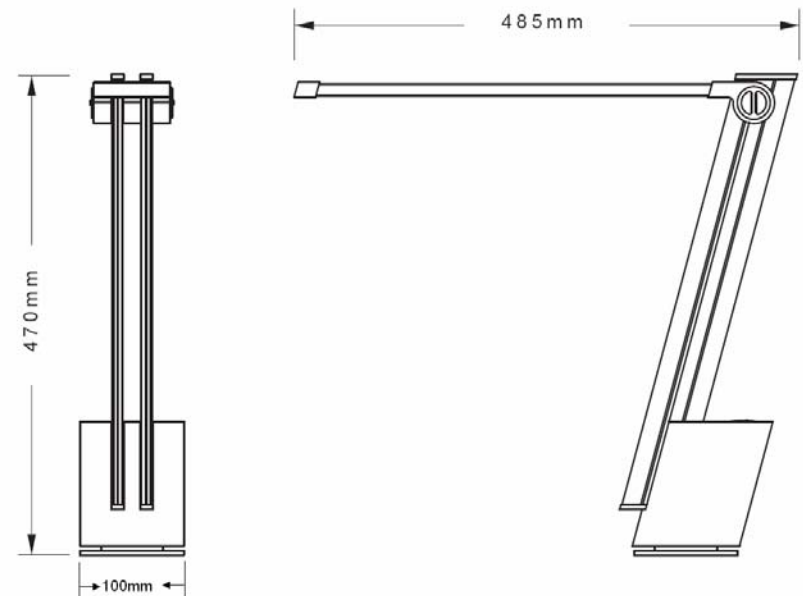
- Adapter specification: Input: 100~240 V/50~60Hz
 Output: 24Vdc/1.3A

- Power Consumption: 16 Watt.

-Operation Temperature: 0~40 ° C

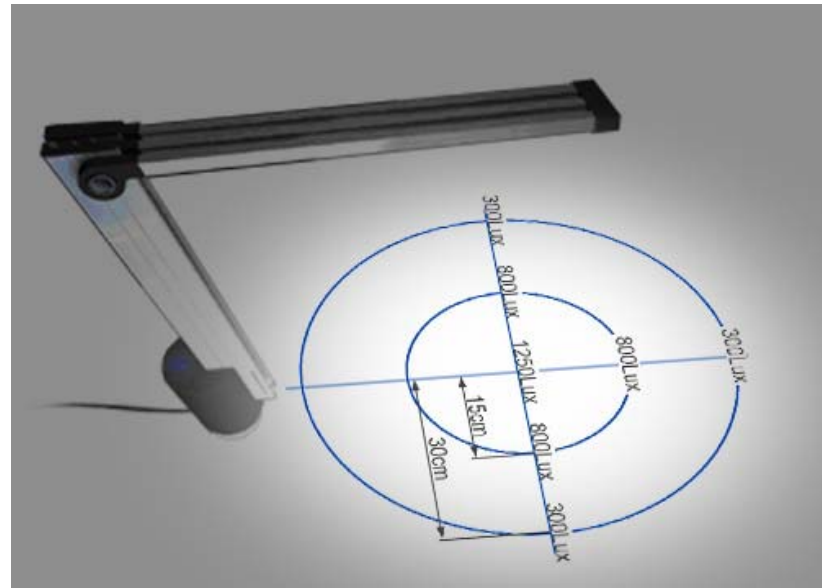
COMPONENT	TYPE
LED	1 W X 12 ea (Nichia)
Arm/Frame	Aluminium
Power Module	Switching Mode
Power Socket	2 Pin

Materials as follows



3. Optical performance :

- Color Temp.: 3300/6500 K (Typ.).
- Light Output: 500/600 Lm.



Illumination Contour

4. Power Circuit Diagram

